



Summa service aid - F SERIES

Bulletin No: 2303 Summa F1612-4x

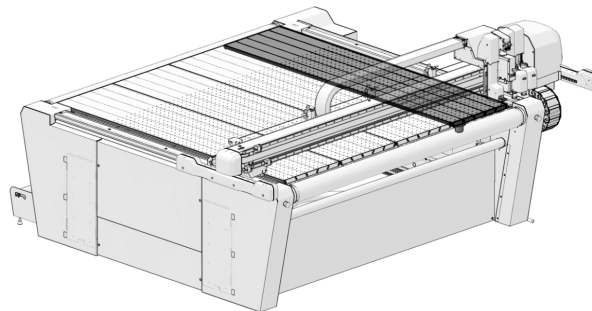
Date: 03-02-2023

Introduction:

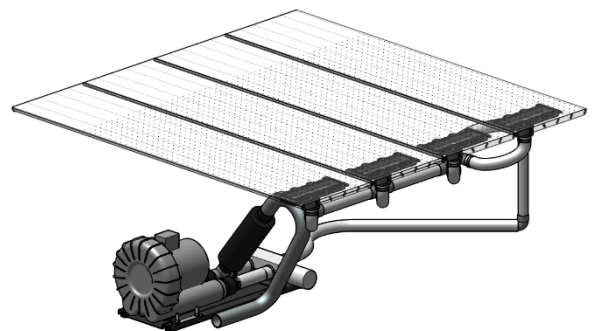
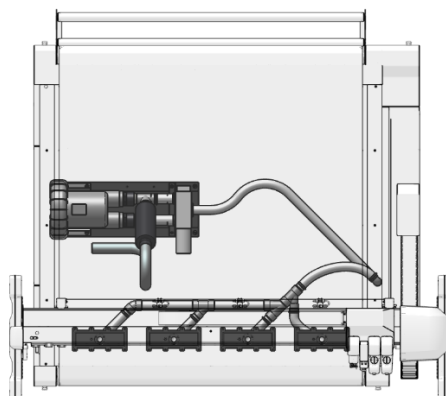
Summa introduced aluminium table plates on the **Large F Series** in the beginning of 2023; Summa is now introducing the aluminium table plates on F1612 units. The machines will have a new part number F1612-**4X** for easier identification of the units.

Production of the F1612-4x units will start in February 2023.

The new F1612-4X has **4 vacuum zones** and no longer works with the vacuum selector. The vacuum zones have been used on the Large F Series since their release.



Vacuum table with the 4 vacuum zones:



Each table plate has its own **built-in pneumatic vacuum selector**. The selector is driven by the pneumatic valve on the pneumatic front board of the unit.

The **compressor must be online** to be able to deactivate the zones. Vacuum zones can be activated individually according to the position of the loaded media (see zones on Large F Series). This is done during the load action in Axis Control when media is loaded.

Summa nv
Rochesterlaan 6
8470 Gistel
Belgium

+32 59 27 00 11
www.summa.com

BTW BE0456 536 537
IBAN BE95 7360 2727 5858



Summa nv

Rochesterlaan 6
8470 Gistel
Belgium

+32 59 27 00 11

www.summa.com

BTW BE0456 536 537

IBAN BE95 7360 2727 5858

Software Compatibility:

- Summa Axis Control 3.28 and Firmware MD9974 rev 44 support the 4X units.
- See Service Aid: "2302_FSERIES_Summa Axis Control 3.28 Firmware MD9974 rev 44"

Installation Manual:

- No changes in the Installation Manual.

Spare Part Guide:

- Aluminium table plates for the F1612-4x are not compatible with the previous models F1612-0/1/2/3x. The chassis of the F1612-4x is different.
- Stainless steel plates (500-9226) for **F1612-0/1/2/3x** are still available.
- The Spare Part Guide with new part numbers for the aluminium table plate, selector/connection part and pneumatic valves for the **F1612-4x** will soon be available on the Summa knowledge base: <https://support.summa.eu/>
- Also new spare parts for the Large F Series aluminium plates will be in that revision. These new aluminium plates for the Large F Series will be compatible with the former system.

User Manual:

- The new User Manual will soon be available on the website: <https://www.summa.com/en/support/user-manuals/>

Pricelist

- New pricelists will be released on the MySumma portal <https://my.summa.com>, or check with your Sales Representative for more details.